



ORDER IDENTIFIER

SCREW-...-
 200 = screw length, with end machining
 300 = screw length, with end machining
 1000 = screw length, without end machining

TECHNICAL DATA

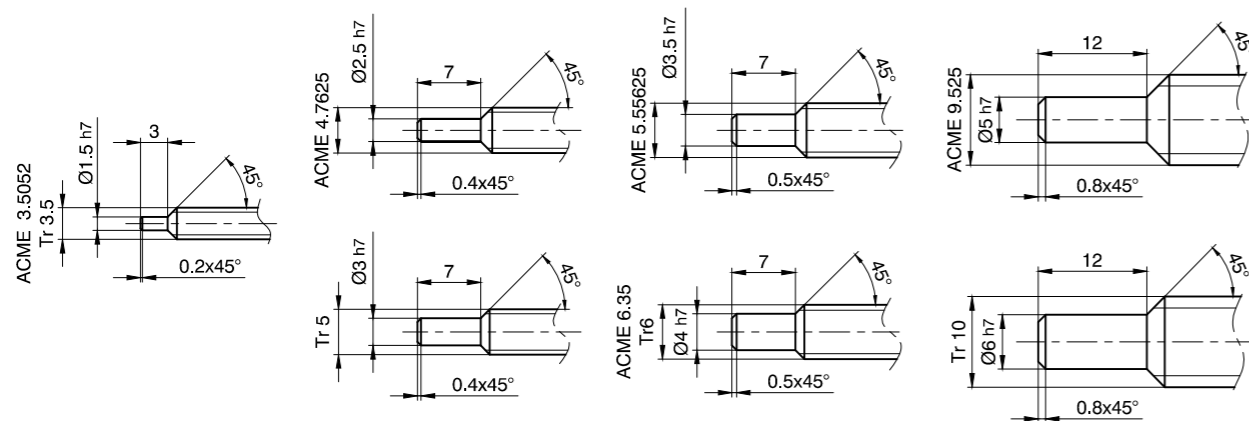
Screw Material	stainless (not resistant to acid and salt water)
Tensile Strength	760 N/mm ²
Thread Lead Delay	± 0.1/300 mm travel

VERSIONS

Type	Thread Diameter mm	Core Diameter mm	Thread Lead mm	Corresponding Motors	Standard Axial Play mm	Max. Axial Play mm	Material Number	Screw Length mm
SCREW-ABA-TJBA	6	4.465	1	LA.....TJBA	0.03	±0.05	1.4301	200 - 1000
SCREW-ABA-TJCA	6	4.444	2	LA...TJCA	0.03	±0.06	1.4301	200 - 1000
ZST3.5-1	3.5	2.3	1	L.....T3.5x1	0.03	±0.05	1.4404	200 - 500
ZST5-2	5	3.7	2	L.....T5x2	0.03	±0.5	1.4404	200 - 1000
ZST5-5	5	3.6	5	L.....T5x5	0.04	±0.7	1.4021	200 - 1050
ZST10-2	10	8.2	2	L.....T10x2	0.04	±0.07	1.4021	200 - 1050
ZST10-6	10	6.5	6	L.....T10x6	0.05	±0.09	1.4021	200 - 1000

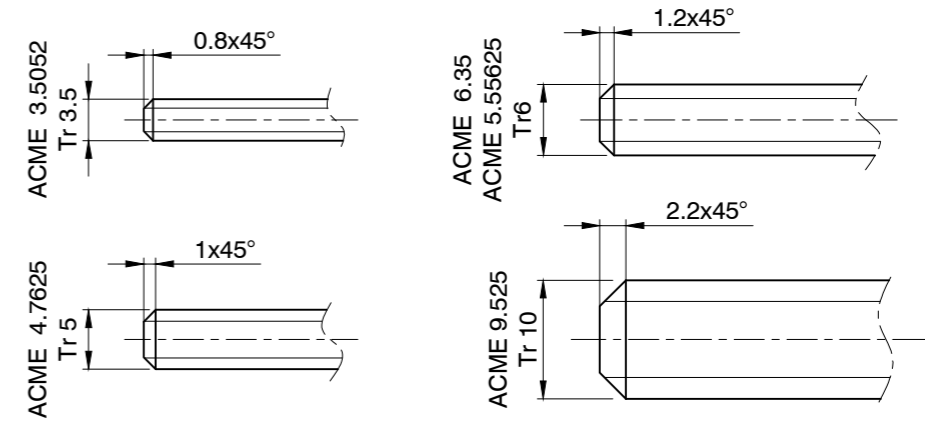
DIMENSIONS (IN MM)

SCREW-ABA-...

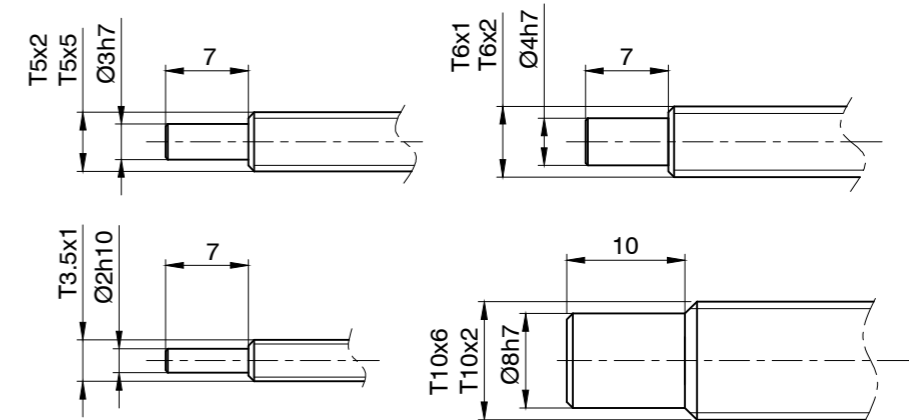


DIMENSIONS (IN MM)

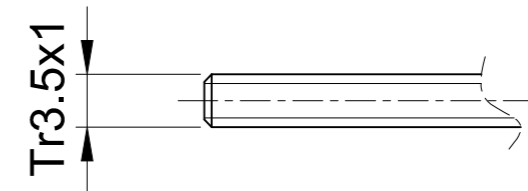
SCREW-AAA-...



ZST...



ZST3.5-1-500

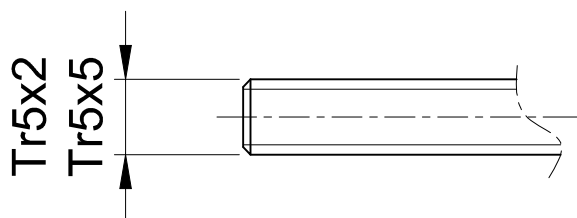


Lead Screw

with Trapezoidal Thread

DIMENSIONS (IN MM)

ZST5-...-1000/1050



ZST10-...-1000/1050

